

**CONSEW** *Since 1898*®

CONSOLIDATED SEWING MACHINE CORP.

└ INDUSTRIAL SEWING & CUTTING EQUIPMENT

# Models

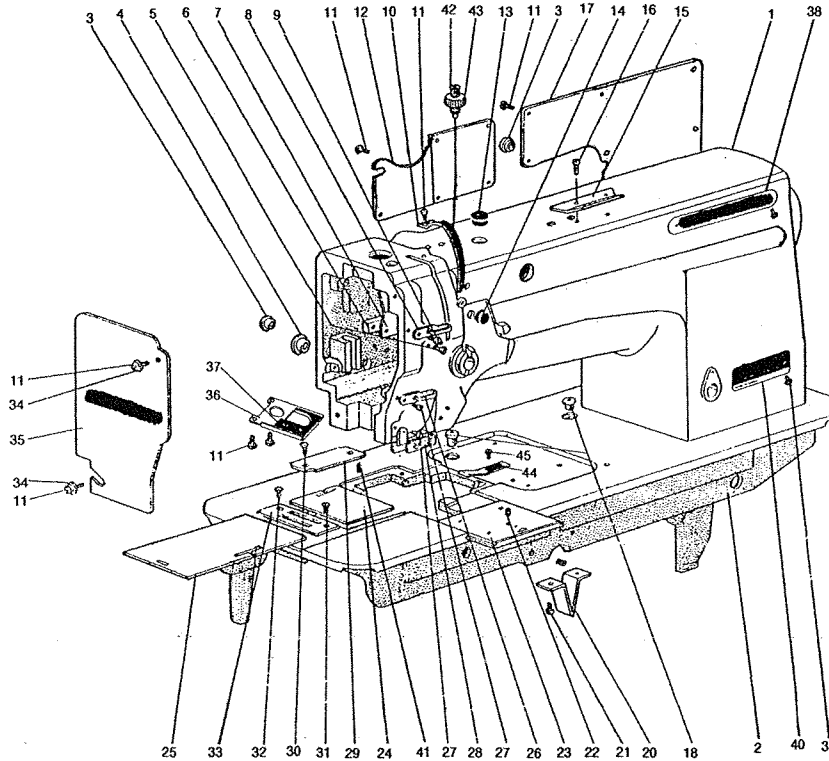
## 332R-6

## 333RB-6

# Parts List

# PARTS LIST

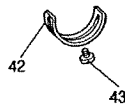
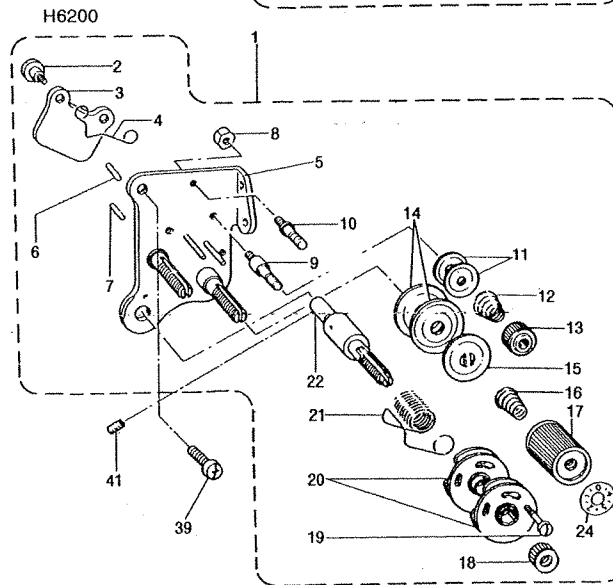
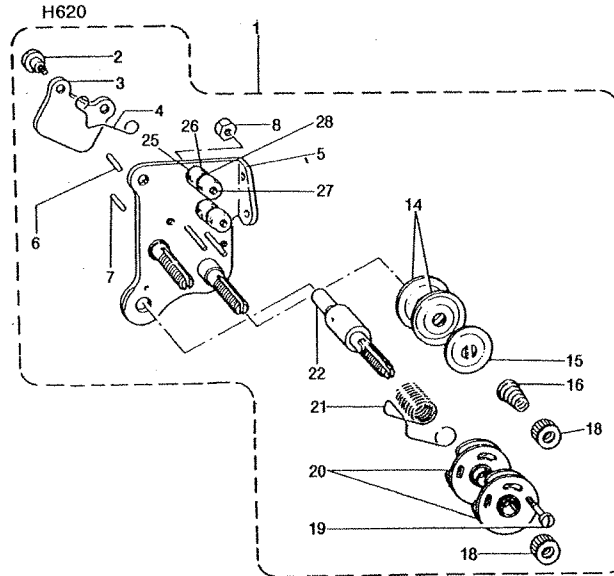
## A. 본체 기구 / Arm Bed & Accessories



No.	Code No.	Parts Name	Q'ty	Remark
1	151001 151047	Arm	1	H620
2	151002 151048	Bed	1	H620
3	117007	Rubber Plug 8.8	3	
4	117004	Rubber Plug 19	1	
5	4021	Screw 3/16(28)-13	1	
6	153001	Spacer	1	
7	153002	Oil Guard Plate	1	
8	153003	Thread Guide	1	
9	4019	Screw 3/16(28)-10	1	
10	153005	Thread Take-up Cover	1	
11	1050	Screw 11/64(40)-8	18	
12	153006	Side Cover (A)	1	
13	157002	Rubber Plug 13	2	
14	157016	Rubber Plug 13	1	
15	153007	Thread Guide	1	
16	1050	Screw 11/64(40)-8	2	
17	153008	Side Cover (B)	1	
18	157003	Oil Cap	2	
20	153009	Supporter	1	H6200
21	2079	Screw 1/4(24)-16	2	H6200
22	3032	Screw 15/64(28)-4.5	1	
23	153010 153082	Slide Plate (F)	1	H620 H6200
24	153071 153083	Slide Plate (R)	1	H620 H6200

No.	Code No.	Parts Name	Q'ty	Remark
25	153072 153084	Slide Plate (L)	1	H620 H6200
26	153011	Thread Guide (M)	1	
27	4012	Screw 9/64(40)-7	2	
28	159001	Thread Guide (L) ASM	1	
28-1	158001	Felt	(1)	
28-2	153004	Cover	(1)	
28-3	4003	Screw 3/32(56)-2.5	(2)	
29	153014	Cover	1	H6200
30	4008	Screw 9/64(40)-5	2	H6200
31	4018	Screw 11/64(40)-7	1	
32	1022	Screw 9/64(40)-6.5	1	
33	*	Needle Plate	1	※
34	123062	Washer	2	
35	153015	Face Plate	1	
36	153073	Oil Guard Plate	1	
37	158013	Felt	1	
38	114009	Name Plate	1	
39	114011	Pin	4	
40	154002 154002-H 154020 154020-H	Model Plate	1	H620 H620H H6200 H6200H
41	152074	Needle Plate Guide Pin	1	
42	8101	Adjusting Screw	1	
43	152075	Nut	1	
44	153155	Slide Plate Stopper	1	
45	1064	Screw 3/16(28)-6	2	

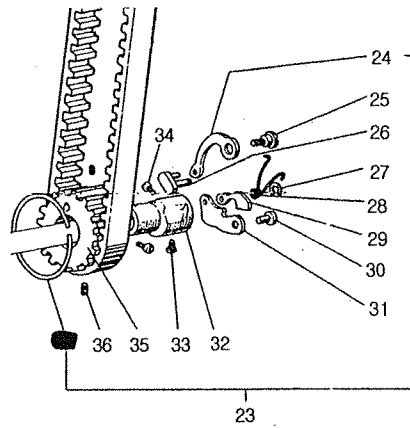
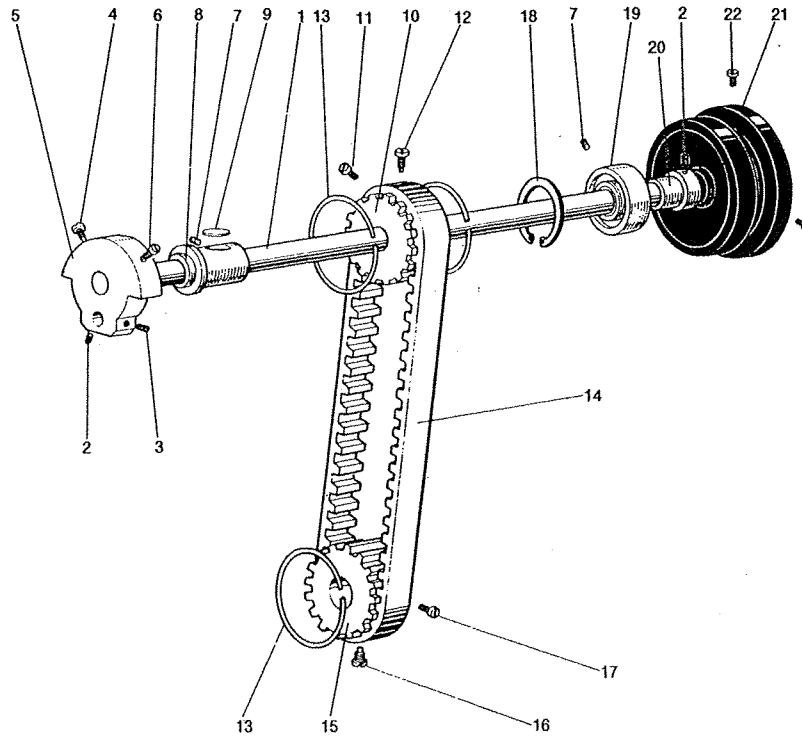
# B. 실조절기 기구 / Thread Tension Regulator Mechanism



No.	Code No.	Parts Name	Q'ty	Remark
1	159019	Thread Tension Regulator	1	H620
	159001			H6200
2	6006	Stud Screw 9/64(40)-3	(2)	
3	153016	Tension Releasing Plate	(1)	
4	155001	Tension Releasing Spring	(1)	
5	153017	Mounting Plate	(1)	
6	152003	Pin(R)	(1)	
7	152004	Pin(L)	(1)	
8	122084	Nut	(2)	
9	152001	Pin	(2)	
10	152002	Thread Guide Pin	(2)	H6200
11	153019	Thread Tension Disc(S)	(4)	
12	155002	Spring	(2)	
13	152007	Nut	(2)	
14	153018	Thread Tension Disc(L)	(4)	
15	153020	Spring Guide Plate	(2)	
16	155003	Spring	(2)	
	135002			H

No.	Code No.	Parts Name	Q'ty	Remark
17	124022	Nut	(1)	H6200
18	152008	Nut	(1)	H6200
			(3)	H620
19	2004	Screw 3/32(56)-12	(1)	
20	159018	Plate Complete	(2)	
21	155004	Thread Take-up Spring	(1)	
22	152005	Thread Tension Stud	(1)	
23	152006	Pin	(2)	
24	124023	Sticker	2	
25	193042	Thread Guide Bracket (D)	2	
26	193043	Thread Guide Disc	2	H620
27	199006	Thread Guide Bracket (U). ASM	2	
28	195006	Spring	2	
39	1050	Screw 11/64(40)-8	3	
40	152009	Tension Releasing Pin	1	
41	3019	Screw 11/64(40)-6	1	
42	153074	Stopper	1	
43	1020	Screw 9/64(40)-5	1	

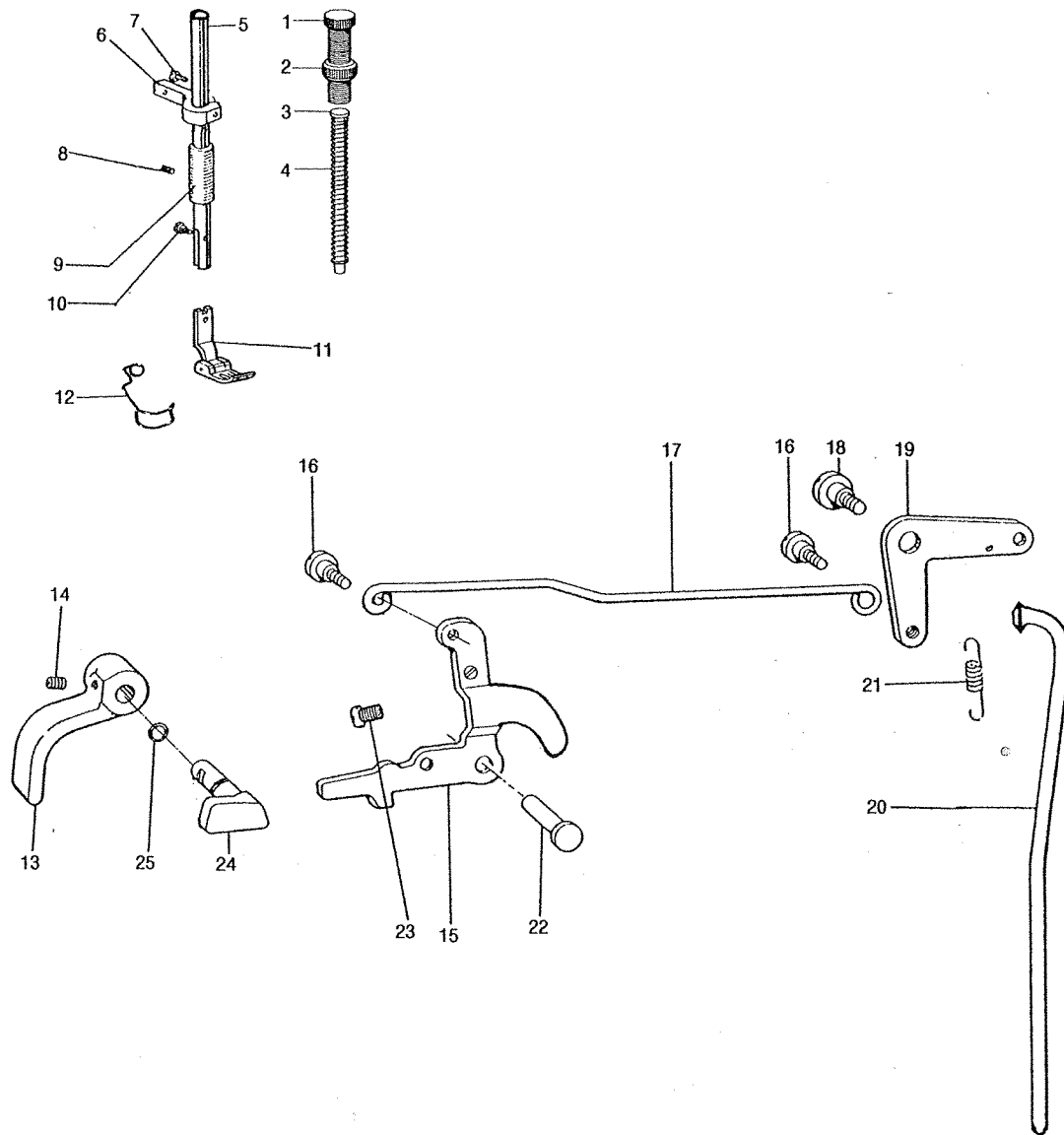
# C. 상축 기구 / Upper Shaft Mechanism



No.	Code No.	Parts Name	Q'ty	Remark
1	152010	Upper Shaft	1	
2	3035	Screw 1/4(40)-6	1	
3	3061	Screw 1/4(40)-6.6	3	
4	2087	Screw 9/32(28)-13	1	
5	151003 151003-H	Thread Take-up Crank	1	H
6	7005	Screw 9/32(28)-14	1	
7	3039	Screw 15/64(28)-10	2	
8	152011	Upper Shaft Bushing (L)	1	
9	158002	Felt	1	
10	152012	Timing Pulley (U)	1	
11	2069	Screw 15/64(28)-8.5	1	
12	7006	Screw 15/64(28)-14.5	1	
13	155005	Spring Flange	3	
14	156009	Timing Belt	1	
15	152022 152022-H	Timing Pulley (L)	1	H6200H
16	7010	Screw 15/64(28)-10.5	1	
17	2070	Screw 15/64(28)-10	1	
18	155006	Stop Ring	1	

No.	Code No.	Parts Name	Q'ty	Remark
19	156001	Ball Bearing	1	
20	152013	Upper Shaft Bushing (R)	1	
21	114002 134005	Pulley	1	H620 H6200
22	2072	Screw 15/64(28)-14	2	
23	159036	Belt Pulley (lower) Complete	1	H620
24	153160	Spring Plate	(1)	H620
25	152101	Pin $\phi 6 \times 14.2$	(1)	H620
26	151115	Link	(1)	H620
27	155033	E-type Stop Ring 2.5	(1)	H620
28	155032	Twist Spring	(1)	H620
29	153162	Plate	(1)	H620
30	152100	Pin $\phi 6.35 \times 13$	(1)	H620
31	153161	Plate	(1)	H620
32	152099	Bushing	(1)	H620
33	8102	Screw 15/64(28)-10.5	(1)	H620
34	2070	Screw 15/64(28)-10	(1)	H620
35	152102	Belt Pulley (lower)	(1)	H620
36	3032	Screw 15/64(28)-4.5	2	H620

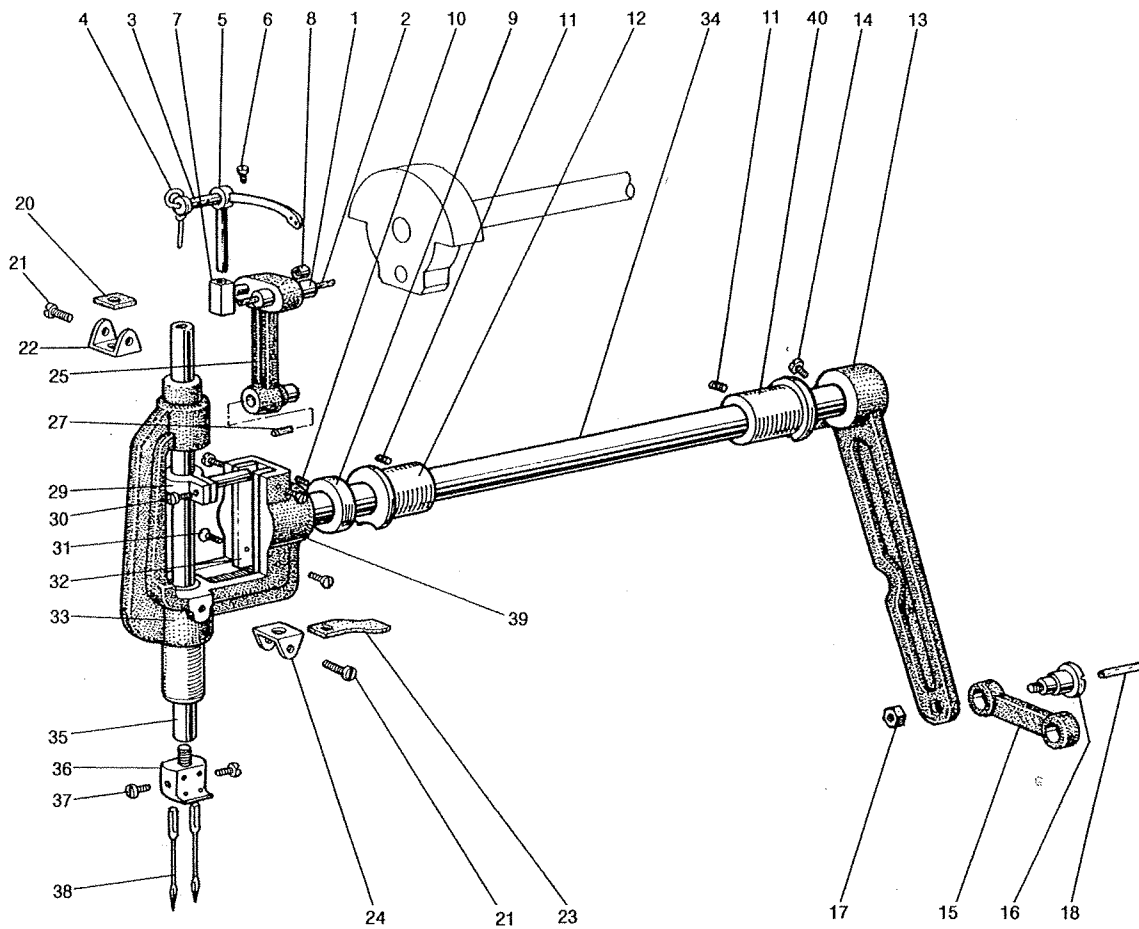
# D. 압봉 기구 / Presser Bar Lifter Mechanism



No.	Code No.	Parts Name	Q'ty	Remark
1	8096	Thumb Nut	1	
2	124021	Nut	1	
3	113031	Spring	1	
4	115001-H	Spring	1	
5	152014	Presser Bar	1	
6	151004	Presser Bar Guide Bracket	1	
7	1061	Screw 11/64(40)-16	1	
8	3039	Screw 15/64(28)-10	1	
9	132062	Presser Bar Bushing	1	
10	6108	Presser Foot Screw	1	
11	*	Presser Foot	1	개시표참조
12	155008	Finger Guard	1	
13	131034	Presser Bar Lifter	1	

No.	Code No.	Parts Name	Q'ty	Remark
14	3082	Screw 15/64(28)-8	1	
15	153022	Thread Releasing Plate	1	
16	6046	Stud Screw 3/16	2	
17	153023	Knee Lifter Rod	1	
18	6067	Stud Screw 15/64(28)-6.5	1	
19	153024	Knee Lifter Lever	1	
20	153025	Knee Lifter Bar	1	
21	125012	Spring	1	
22	152016	Pin	1	
23	2051	Screw 11/64(40)-9	1	
24	152017	Presser Bar Lifting Cam	1	
25	117019	O Ring 8	1	

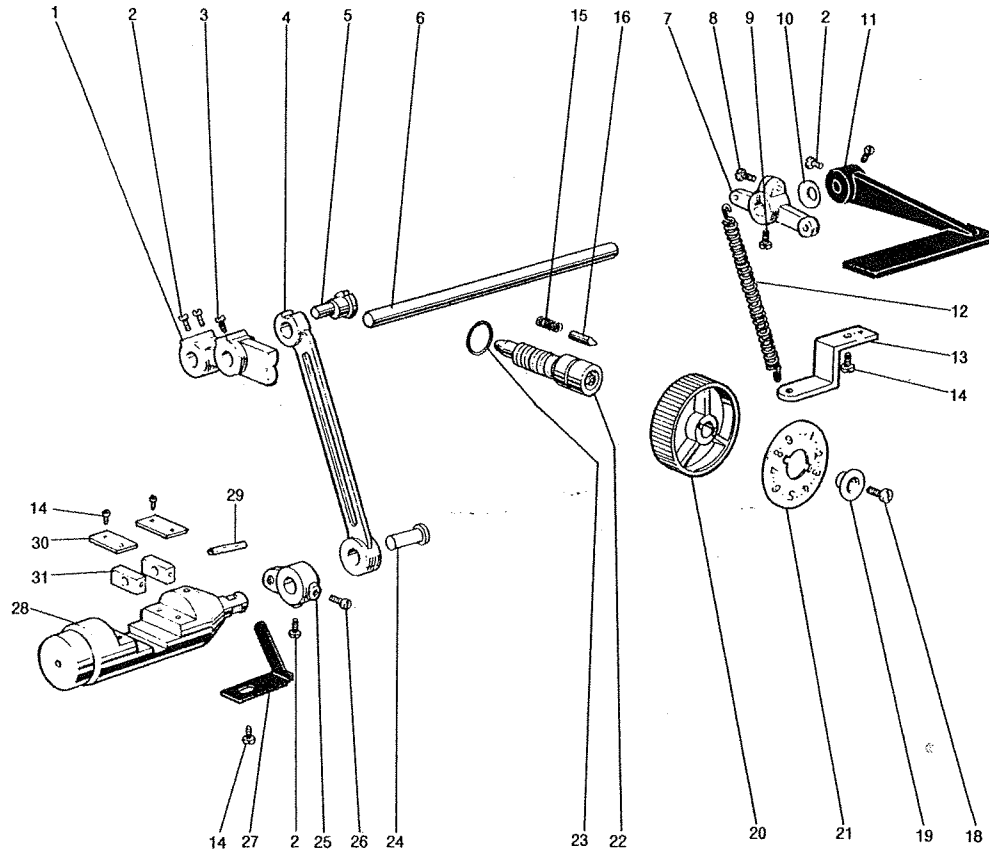
# E. 천평, 침봉 요동 기구 / Thread Take-up & Needle Bar Rock Motion Mechanism



No.	Code No.	Parts Name	Q'ty	Remark
1	152018	Needle Bar Crank Pin	1	
2	158014	Oil Wick	1	
3	152019	Thread Take-up Shaft	1	
4	118002	Oil Wick	1	
5	151053	Thread Take-up	1	
	151053-H			H
6	1094	Screw 15/64(28)-12	1	
7	152020	Thread Take-up Slide Block	1	
8	152076	Plug	1	
9	152021	Set Collar	1	
10	3055	Screw 1/4(40)-5	1	
11	3039	Screw 15/64(28)-10	2	
12	152023	Needle Bar Rock Shaft Bushing (L)	1	
13	151009	Needle Bar Rock Shaft Crank	1	
14	2079	Screw 1/4(24)-16	1	
15	141006	Link	1	
16	6093	Screw 5/16(24)-26	1	
17	152077	Nut 5/16(24)	1	
18	158015	Oil Wick	1	
19	159003	Needle Bar Rock Frame. ASM	1	

No.	Code No.	Parts Name	Q'ty	Remark
20	158004	Felt	(1)	
21	1008	Screw 1/8(44)-4.5	(4)	
22	153027	Felt Holder	(1)	
23	158005	Felt	(1)	
24	153028	Felt Holder	(1)	
25	151012	Needle Bar Crank	(1)	
27	158006	Oil Wick	(1)	
29	151040	Needle Bar Holder	(1)	
30	1038	Screw 9/64(40)-10	(1)	
31	1002	Screw 3/32(56)-4	(4)	
32	153029	Slide Plate	(2)	
33	151011	Needle Bar Rock Frame	(1)	
34	152025	Needle Bar Rock Shaft	(1)	
35	152026	Needle Bar	(1)	
36	*	Needle Clamp	1	개이사표 참조
37	2021	Screw 9/64(40)-3	2	
38	156002	Needle DP×5 #14	2	
	156010	Needle DP×5 #21	2	H
39	152072	Taper Pin	1	
40	152092	Needle Bar Rock Shaft Bushing (R)	1	

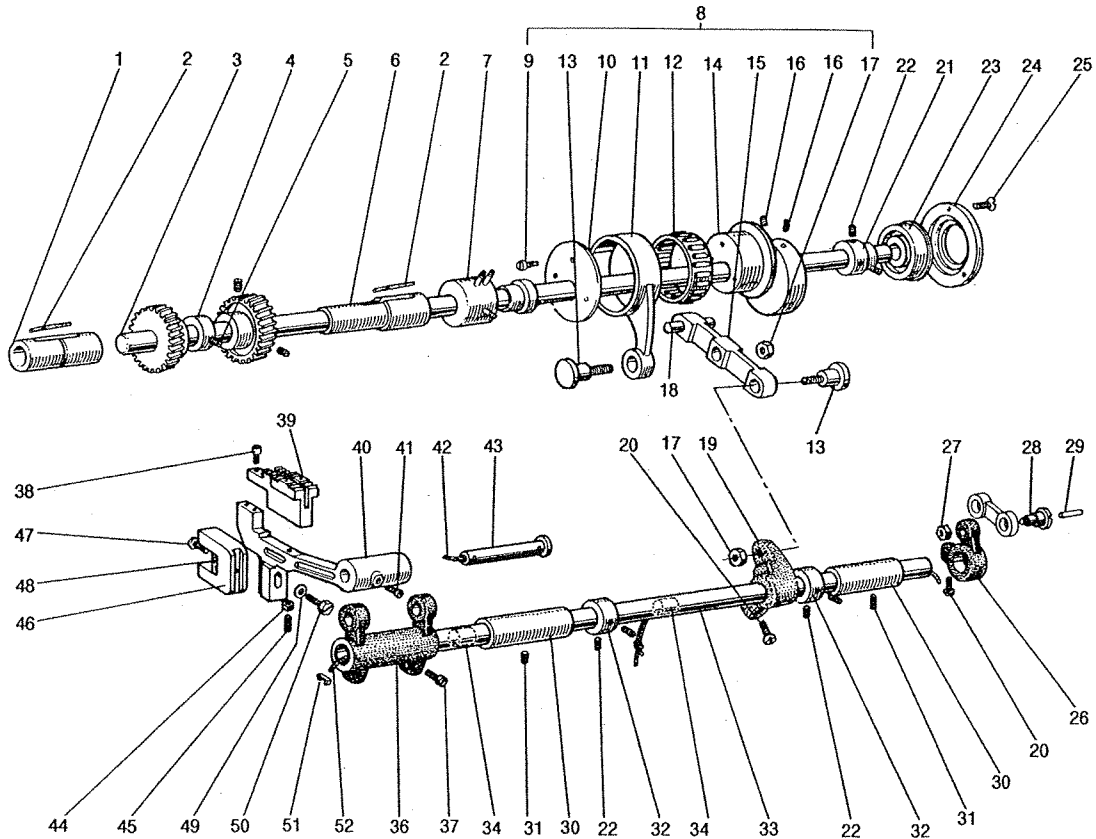
# F. 송조절기 기구 / Feed Regulator Mechanism



No.	Code No.	Parts Name	Q'ty	Remark
1	151014	Feed Regulator	1	
2	2069	Screw 15/64(28)-8.5	4	
3	7003	Screw 15/64(28)-12	1	
4	151015	Connecting Link	1	
5	152078	Eccentric Pin	1	
6	152028	Reverse Stitch Shaft	1	H6200
	152029		1	H620
7	151054	Reverse Lever	1	H620
	151016		1	H6200
8	1072	Screw 3/16(28)-15	1	
9	2049	Screw 11/64(40)-8.5	1	
10	113026	Washer	1	H620
11	151017	Reverse Sewing Lever	1	H620
	151050		1	H6200
12	155010	Spring	1	155010-H(후물용)
13	153032	Spring Hook	1	H620
14	1050	Screw 11/64(40)-8	6	H620
15	115003	Spring	1	

No.	Code No.	Parts Name	Q'ty	Remark
16	112019	Pin	1	
18	2062	Screw 3/16(28)-16	1	
19	123086	Presser Washer	1	
20	124032	Dial	1	
	154017	Length Control Plate #5	1	
21	154017-H	Length Control Plate #8	1	H6200H
	134011	Length Control Plate #9	(1)	H620H
22	112049	Screw Bar	1	
23	117022	O Ring	1	
24	152087	Crank Pin	1	
25	151018	Stitch Regulating Crank	1	
26	2069	Screw 15/64(28)-8.5	3	
27	153033	Stopper	1	
28	152031	Reverse Bar	1	
29	152032	Pin	1	
30	153034	Guide Plate	2	
31	152033	Slide Block	2	

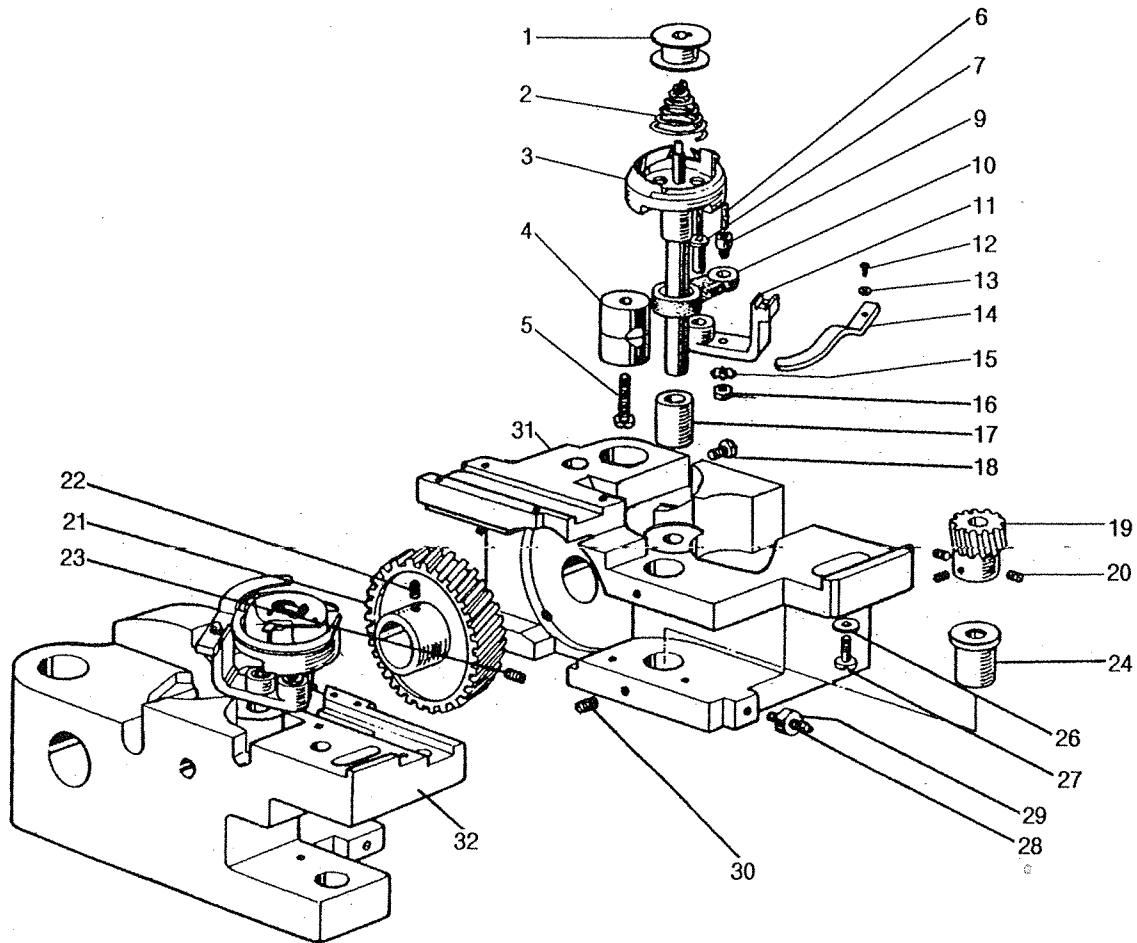
# G. 하축 기구 / Lower Shaft Mechanism



No.	Code No.	Parts Name	Q'ty	Remark	No.	Code No.	Parts Name	Q'ty	Remark
1	152034	Lower Shaft Bushing (L)	1		26	151022	Feed Rock Shaft Crank (R)	1	
2	158015	Felt	2		27	152077	Nut 5/16(24)	1	
3	152035	Lower Shaft	1		28	6093	Stud Screw 5/16(24)-6	1	
4	152036	Feed Lifting Cam	1		29	158006	Oil Wick	1	
	152036-H			H	30	112034	Feed Rock Shaft Bushing	2	
5	3087	Ball Screw 1/4(40)-5.6	2		31	3050	Screw 1/4(24)-14	2	
6	152037	Lower Shaft Bushing (R)	1		32	112038	Set Collar	2	
7	159004	Lower Shaft Bushing (M). ASM	1		33	152043	Feed Rock Shaft	1	
8	159005	Level Feed Connecting Rod. ASM	1		34	158008	Oil Felt	2	
	159005-H			H	36	151023	Feed Rock Shaft Crank	1	
9	1050	Screw 11/64(40)-8	(3)		37	2061	Screw 3/16(28)-15	2	
10	153035	Cover Plate	(1)		38	2012	Screw 1/8(40)-7	2	
11	151019	Level Feed Connecting Rod	(1)		39		Feed Dog	1	조립시 개입
12	156008	Bearing	(1)		40	151024	Feed Bar	1	H620
13	6072	Stud Screw 1/4(24)-13	(2)			151051			H6200
14	152039	Level Feed Cam	(1)		41	2051	Screw 11/64(40)-9	1	
	152039-H			H	42	158007	Oil Wick	1	
15	151041	Feed Link	(1)		43	152045	Feed Bar Shaft	1	
16	3082	Screw 15/64(28)-8	(3)		44	152081	Nut 1/8(40)	1	
17	152079	Nut 1/4(24)	(2)		45	3003	Screw 1/8(40)-15	1	
18	152080	Feed Link Pin	(1)		46	151025	Feed Bar Fork	1	
19	151021	Connecting Rod Crank	(1)			151025-H			H
20	2079	Screw 1/4(24)-16	(2)		47	2024	Screw 9/64(40)-4.5	1	
21	152040	Bearing Bushing	1		48	158009	Felt	1	
22	3054	Screw 1/4(40)-4	5		49	153075	Washer	1	
23	156003	Bearing	1		50	2074	Screw 15/64(28)-16.5	1	
24	153036	Bearing Holder	1		51	113024	Oil Wick Holder	1	
25	4010	Screw 9/64(40)-7	3		52	158016	Oil Wick	1	



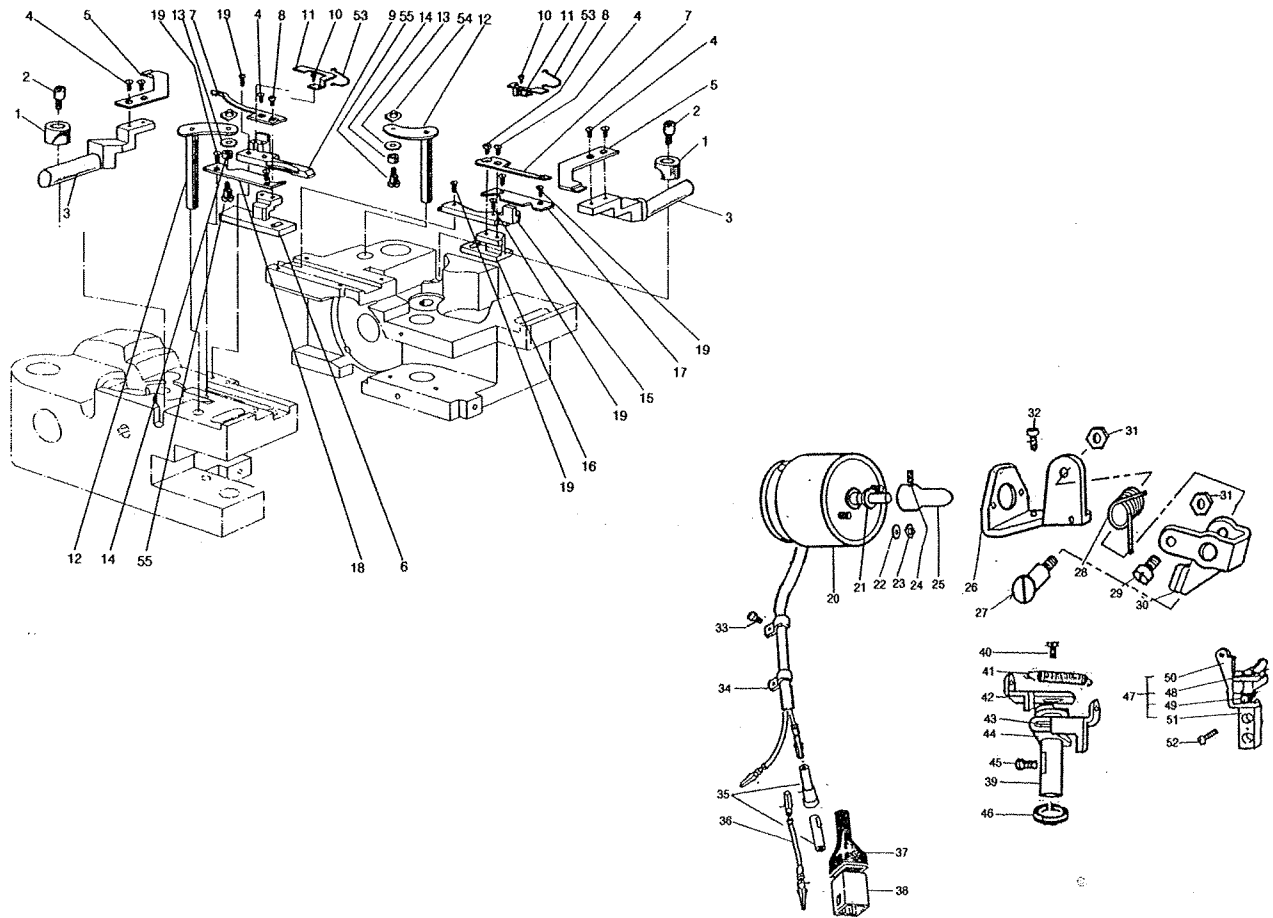
# H. 가마내 기구 / Hook Saddle Mechanism



No.	Code No.	Parts Name	Q'ty	Remark
1	152093	Bobbin	2	H620
	152093-H			H620H
	152046			H6200
	152046-H			H6200H
2	155013	Spring	2	H6200
	155013-H			H6200H
3	HSH-12-15M	Hook	2	H620
	HSH-12-15MMA			H620H
	HSH-12-15MTR(3)			H6200
	HSH-12-15MM(3)TR			H6200H
4	152047	Bushing. ASM	2	
5	1098	Screw 15/64(28)-30	(2)	
6	158010	Oil Wick 2.5 x 15	2	
7	152048	Opener Holder Pin	2	
9	8029	Screw 3/16(32)-7.8	(2)	
10	152050	Link	(2)	
	152050-H			H
11	151026	Opener Holder	(2)	
	151026-H			H
12	1030	Screw 9/64(40)-7	(2)	
13	153038	Washer	(2)	
14	153039	Opener	(2)	
	153039-H			H
15	156004	Spring Washer 5	(2)	

No.	Code No.	Parts Name	Q'ty	Remark
16	152082	Nut 3/16(32)	(2)	
17	152051	Hook Shaft Bushing (U)	2	
	152051-H			H
18	1071	Screw 3/16(28)-14	2	
19	152053	Gear (S)	2	
20	3054	Screw 1/4(40)-4	8	
21	152054	Gear (L)	2	
22	3087	Screw 1/4(40)-5.6	2	
23	3079	Screw 1/4(40)-6	2	
24	152056	Hook Shaft Bushing (D)	2	
26	153041	Washer	2	
27	2082	Screw 1/4(40)-23	2	
28	8034	Screw 3/16(28)-26	2	
29	122080	Nut 3/16(28)	2	
30	3032	Screw 15/64(28)-4	2	
31	151042	Hook Saddle	1	H620
	151042-H			H620H
	151043			H6200
	151043-H			H6200H
32	151044	Hook Saddle	1	H620
	151044-H			H620H
	151045			H6200
	151045-H			H6200H

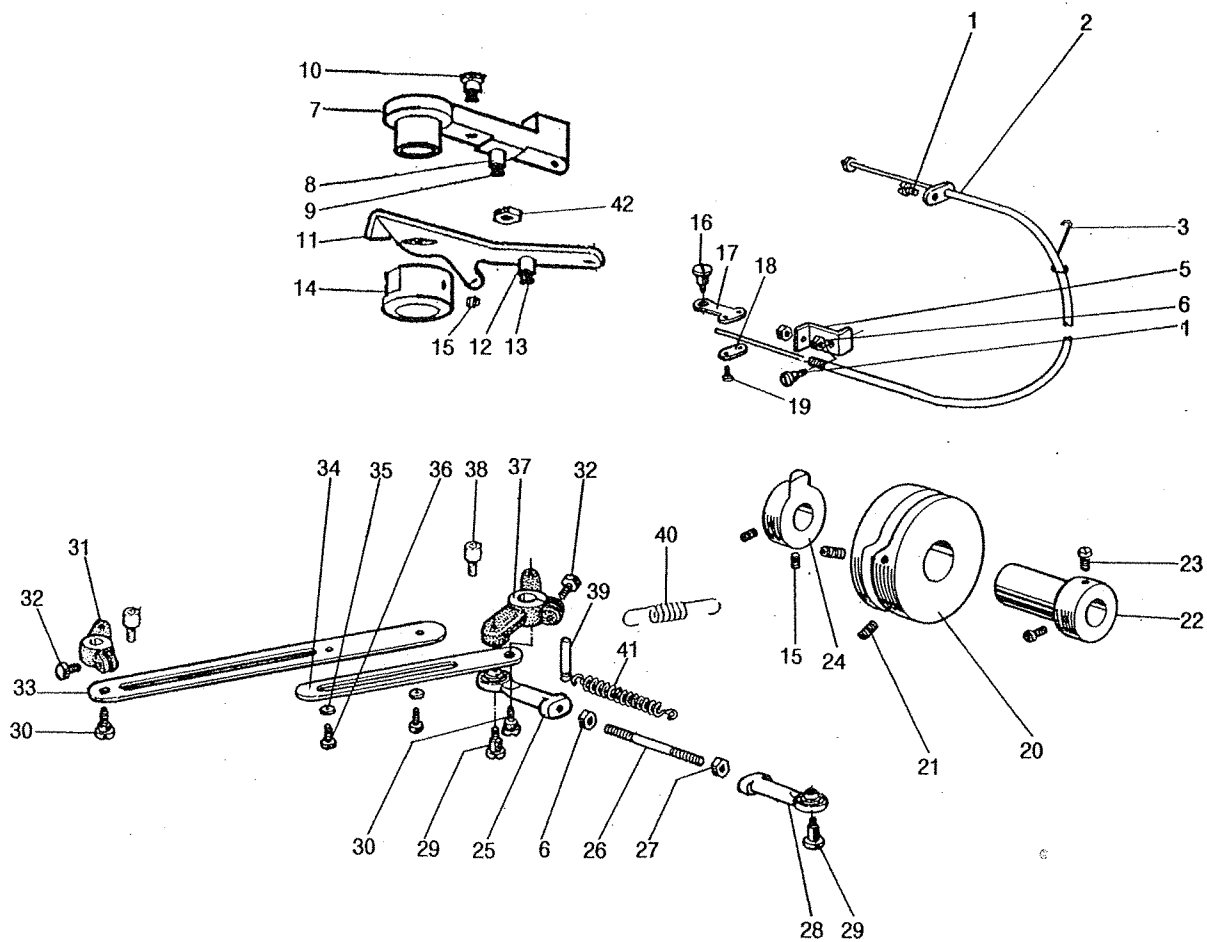
# I. 시절 기구(1) / Thread Trimmer Mechanism(1) (H6200)



No.	Code No.	Parts Name	Q'ty	Remark
1	152057	Fixed Blade Holder Joint	2	
2	9015	Wrench Screw M5(P0.5)-12	2	
3	151027	Fixed Blade Holder	2	
4	4008	Screw 9/64(40)-5	6	
5	153088	Fixed Blade	2	
6	151028	Moved Knife Bracket (L)	1	
7	153089	Moved Knife	2	
8	2106	Screw 9/64(40)-5	2	
9	151029	Moved Knife Guide (L)	1	
10	2003	Screw 3/32(56)-5	5	
11	155014	Spring Plate	2	
12	151030	Moved Knife Lever	2	
13	223034	Washer	2	
14	152059	Roller	2	
15	151031	Moved Knife Guide Bracket (R)	1	
16	151032	Moved Knife Bracket (R)	1	
17	153042	Moved Knife Guide Plate (R)	1	
18	153043	Moved Knife Guide Plate (L)	1	
19	4010	Screw 9/64(40)-6.2	8	
20	159006	Thread Trimmer Solenoid ASM	1	
21	127032	Cushion	1	
22	126002	Spring Washer	2	
23	122083	Nut M4	2	
24	3020	Screw 11/64(40)-6	1	
25	152060	Plunger Pin	1	
26	153044	Solenoid Bracket	1	
27	6044	Stud Screw	1	
28	155026	Spring	1	
29	8103	Pin	1	

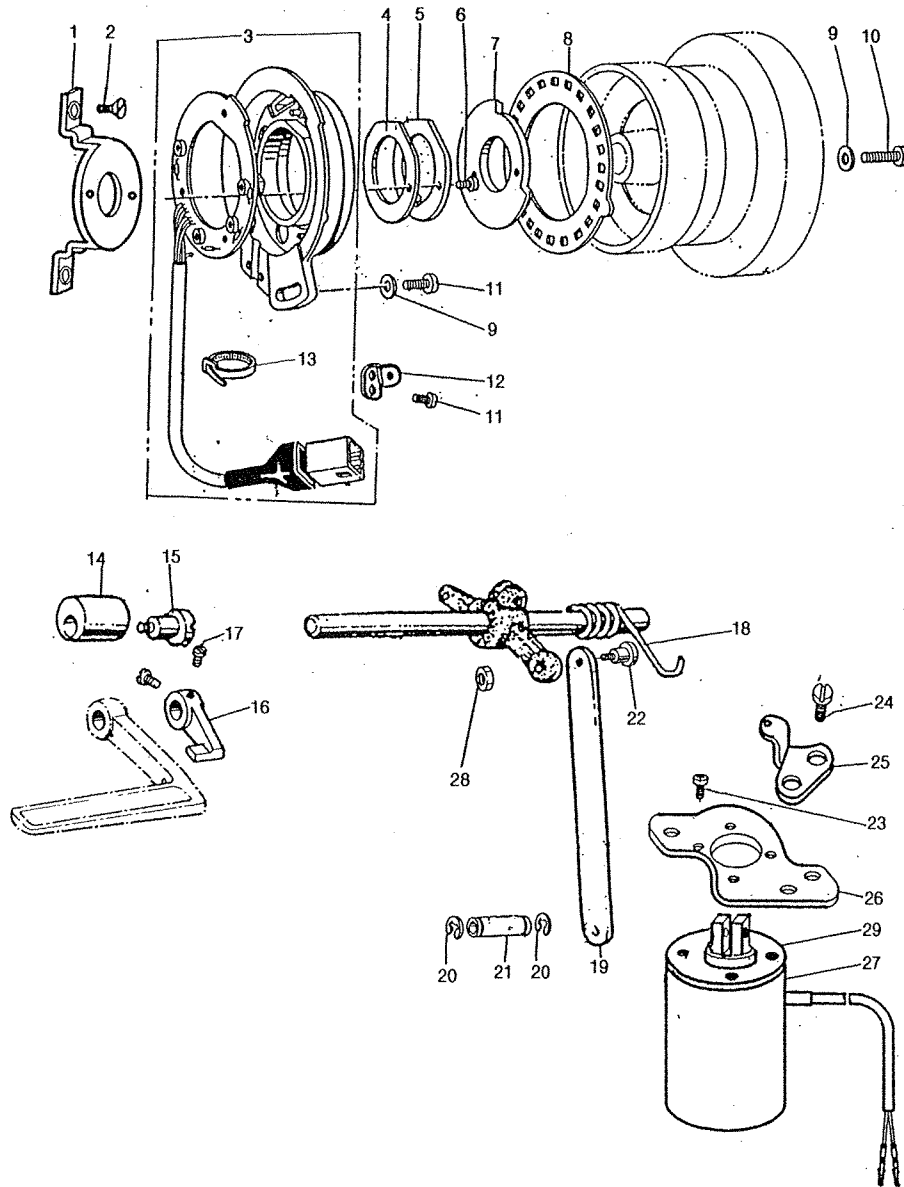
No.	Code No.	Parts Name	Q'ty	Remark
30	153045	Solenoid Lever	1	
31	122080	Nut 3/16(28)	3	
32	2079	Screw 1/4(24)-16	2	
33	1020	Screw 9/64(40)-5	2	
34	157006	Cord Holder	2	
35	156005	Connector Cap. ASM	1	
36	159007	Connector Line	1	
37	124025	Connector Cap 12	1	
38	124026	Connector 12	1	
39	152061	Thread Trimmer Cam Lever Shaft	1	
	152061-H			H
40	1050	Screw 11/64(40)-8	1	H
41	125025	Spring	1	H
42	153046	Stopper	1	H
43	155027	E-Type Stop Ring 8	1	H
44	153047	Safety Guide	1	H
45	3082	Screw 15/64(28)-8	3	
46	157009	Cushion Rubber	2	
47	139010	Thread Release. ASM	1	
48	125032	E-Type Stop Ring 3	(1)	
49	135006	Thread Release Spring	(1)	
50	133025	Thread Releasing Fork	(1)	
51	132060	Thread Releasing Bracket	(1)	
52	1058	Screw 11/64(40)-12	2	
53	155029	Thread Holder Spring	2	
54	182093	Nut 9/64(40)-3	2	
55	6122	Stud Screw	2	

# J. 시절 기구(2) / Thread Trimmer Mechanism(2) (H6200)



No.	Code No.	Parts Name	Q'ty	Remark
1	1047	Screw 11/64(40)-5.5	1	
2	155016	Wire. ASM	1	
3	155017	Wire Hook	1	
4	155030	Cord Holder (S)	1	
5	153049	Wire Releasing Bracket	1	
6	122082	Nut M5	2	
7	159035	Thread Trimmer Lever. ASM	1	
8	152063	Roller	1	
9	2028	Screw 9/64(40)x6	1	
10	6035	Stud Screw 3/16(28)	1	
11	153050	Thread Releasing Plate	1	
12	122037	Roller	1	
13	6022	Stud Screw 11/64(40)	1	
14	152064	Thread Trimmer Cam Lever Bushing	1	
15	3080	Screw M5-5	4	
16	6021	Stud Screw	1	
17	123076	Wire Bracket	1	
18	123079	Wire Bracket Holder	1	
19	2018	Screw 1/8(44)x7	2	
20	152065	Thread Trimmer Cam	1	
21	3077	Screw M6	2	
22	152083	Thread Trimmer Cam Bushing	1	
23	3082	Screw 15/64(28)-8	2	
24	151034	Thread Releasing Cam	1	
25	156006	Ball Joint Bearing (L)	1	
26	8119	Adjust Screw	1	
27	152084	Left-handed Nut M5	1	
28	156007	Ball Joint Bearing (R)	1	
29	6017	Stud Screw	2	
30	6067	Stud Screw	2	
31	151035	Moved Knife Lever (L)	1	
32	9008	Bolt M6x15	2	
33	153055	Connecting Plate (L)	1	
34	153051	Connecting Plate (R)	1	
35	123061	Washer	4	
36	5026	Bolt M5x8	2	
37	151036	Moved Knife Lever (R)	1	
38	8104	Stopper Pin	1	
39	152067	Spring Hook	1	
40	155018	Spring	1	
41	155019	Spring	1	
42	122084	Nut	1	

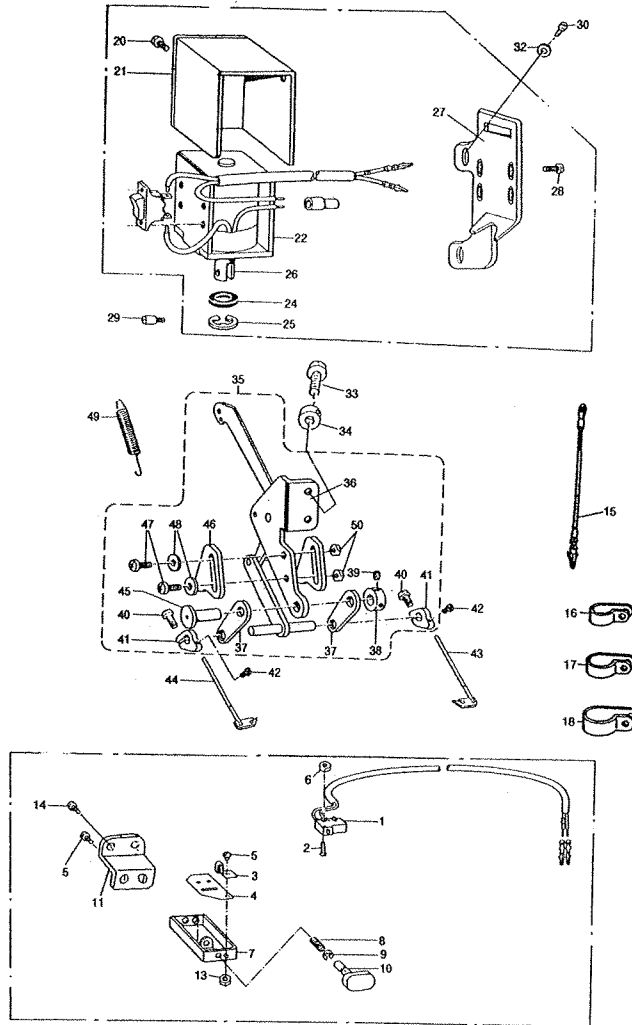
# K. 위치검출기, 조작상자 기구 / Synchronizer, Operation Panel Mechanism (H6200)



No.	Code No.	Parts Name	Q'ty	Remark
1	153052	Synchronizer Bracket	1	
2	4018	Screw 11/64(40)-8	2	
3	129020	Synchronizer. ASM	1	
4	127003	Packing	1	
5	113034	Stopper	1	
6	1005	Screw M3x8	2	
7	153053	Speed Command Disc (S)	(1)	
8	154008	Speed Command Disc (L)	(1)	
9	123062	Washer	(10)	
10	1061	Screw 11/64(40)-16	(2)	
11	1050	Screw 11/64(40)-8	3	
12	153054	Synchronizer Stopper	1	
13	126003	Bead Band	1	
14	127025	Stopper Rubber	1	
15	6056	Stud Screw	1	

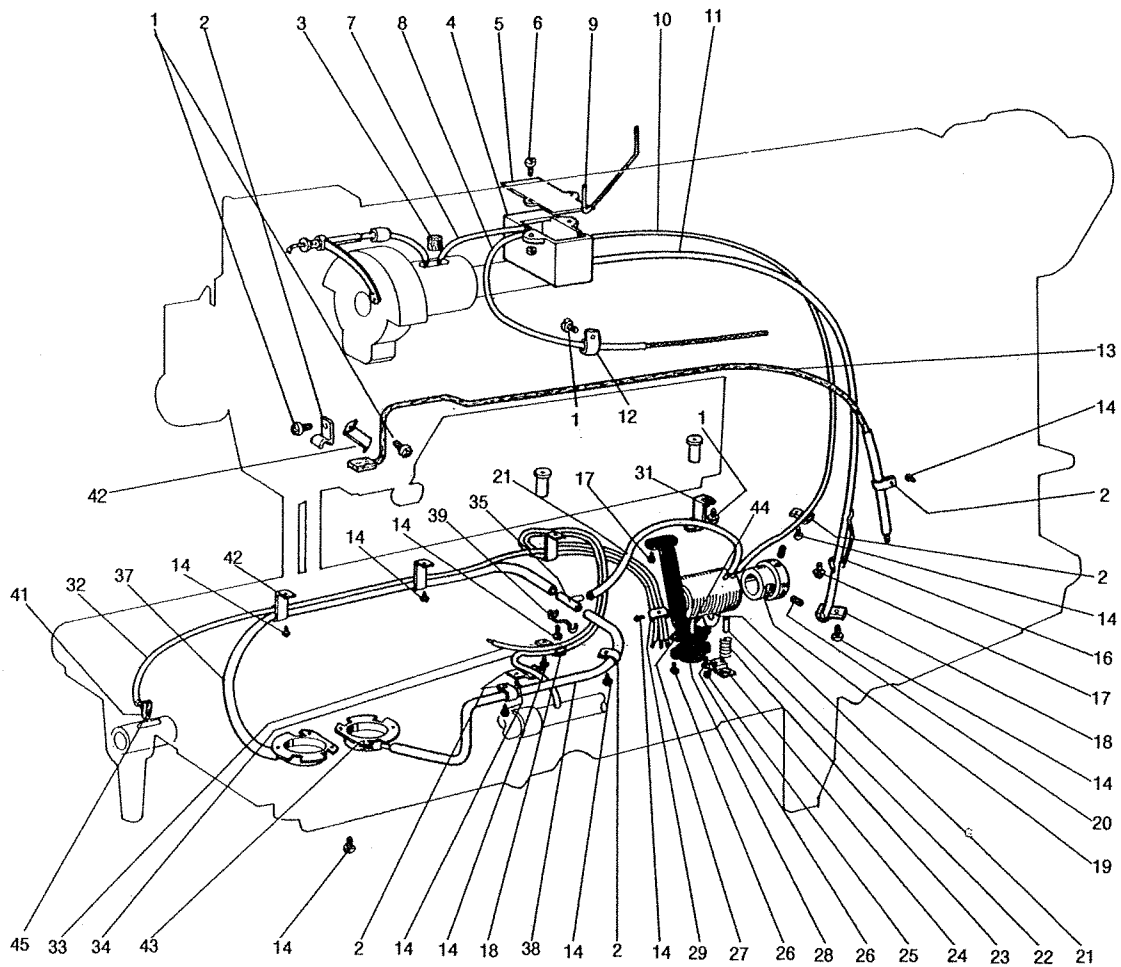
No.	Code No.	Parts Name	Q'ty	Remark
16	151037	Reverse Lever (B)	1	
17	2069	Screw 15/64(28)-8	2	
18	155020	Spring	1	
19	153056	Solenoid Link	1	
20	125039	E-Type Stop Ring 4	2	
21	122063	Pin	1	
22	6066	Stud Screw	1	
23	4025	Screw 11/64(40)-7	4	
24	2079	Screw 1/4(24)-16	2	
25	153057	Spring Hook	1	
26	153058	Solenoid Bracket	1	
27	159016	Reverse Solenoid. ASM	1	
28	122088	Nut 15/64(28)	1	
29	137010	Packing	1	

# L. 마이크로스위치, 와이퍼 기구 / Micro Switch, Wiper Mechanism (H6200)



No.	Code No.	Parts Name	Q'ty	Remark
1	124020	Micro Switch	1	
2	1111	Screw M2	2	
3	123071	Spring Plate	1	
4	123031	Insulation Plate	1	
5	1112	Screw M4-6	3	
6	122083	Nut M4	1	
7	123030	Switch Bracket	1	
8	125028	Spring	1	
9	125032	E-Type Stop Ring 3	1	
10	124019	Switch Button	1	
11	133028	Bracket	1	
13	122089	Nut M2	2	
14	1050	Screw 11/64(40)-8	2	
15	129032	Earth Cord	1	
16	157006	Cord Holder (S)	2	
17	157007	Cord Holder (M)	5	
18	157008	Cord Holder (L)	1	
20	1110	Screw M4	(2)	
21	124033	Cover	(1)	
22	129031	Solenoid	(1)	
24	127034	Cushion	(1)	
25	115014	E-Type Stop Ring 9	(1)	
26	122087	Plunger	(1)	

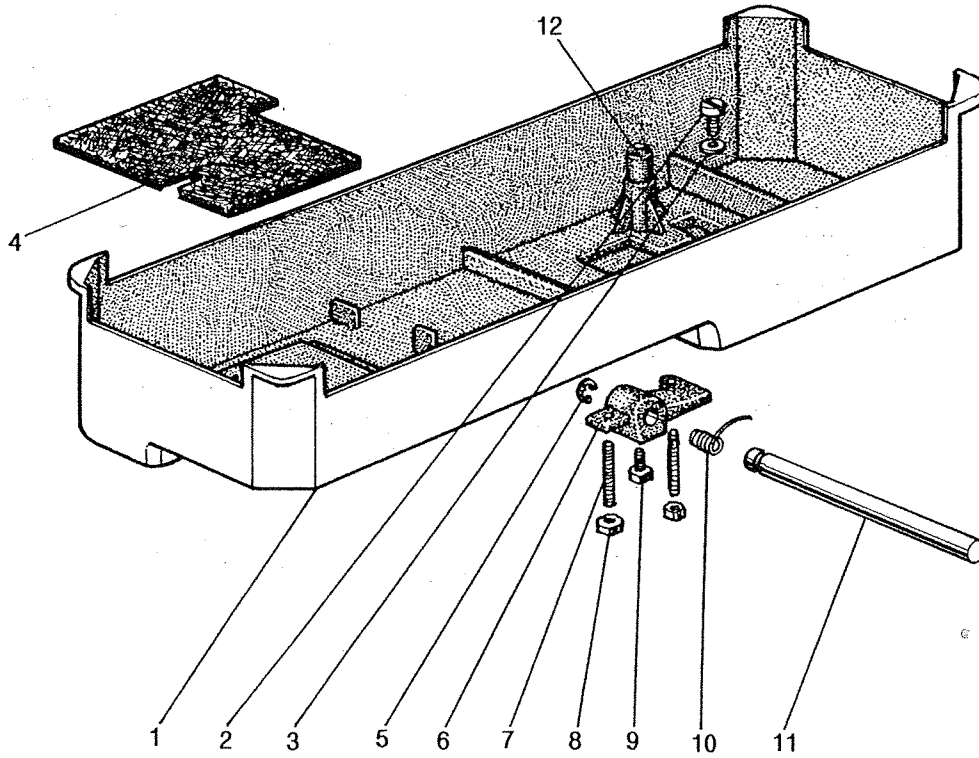
No.	Code No.	Parts Name	Q'ty	Remark
27	173027	Solenoid Bracket	(1)	
28	4024	Screw M4	(4)	
29	8003	Plunger Pin Stud Screw	1	
30	1055	Screw 11/64(40)-10	2	
32	123062	Washer	1	
33	1061	Screw 11/64(40)-6	2	
34	152068	Spacer	2	
35	159008	Wiper Bracket. ASM	1	
36	159009	Wiper Bracket	(1)	
37	153077	Wiper Link	(2)	
38	152085	Collar	(2)	
39	3013	Screw M4-5	(2)	
40	9012	Screw M3-12	(2)	
41	153078	Wiper Support	(2)	
42	9011	Screw M3-5	(2)	
43	153079	Wiper (R)	(1)	
44	153080	Wiper (L)	(1)	
45	152086	Wiper Link Stud	(1)	
46	153060	Wiper Stopper	(2)	
47	1055	Screw 11/64(40)-10	(2)	
48	123062	Washer	(2)	
49	125025	Spring	1	
50	122101	Nut 11/64(40)	(1)	



No.	Code No.	Parts Name	Q'ty	Remark
1	1047	Screw 11/64(40)-6	4	
2	113038	Steel Cord Holder (S)	7	
3	158017	Felt	1	
4	159010	Oil Tank. ASM	1	
5	153061	Oil Tank Cover	1	
6	1114	Screw M4-16	2	
7	159011	Oil Wick. ASM	1	
8	159012	Oil Wick. ASM	1	
9	155021	Pipe Holder	1	
10	157011	Pipe 3Dx400	2	
11	157010	Pipe 5Dx400	1	
12	113038	Cord Holder (L)	1	
13	159013	Oil Return Tube. ASM	1	
14	1020	Screw 9/64(40)-5	17	
16	155022	Pipe Holder	1	
17	1050	Screw 11/64(40)-8	3	
18	153081	Pipe Holder	2	
19	152069	Bushing	1	
20	3023	Screw 11/64(40)-10	2	
21	157012	Pipe 3Dx1x90	2	
22	152070	Plunger	1	

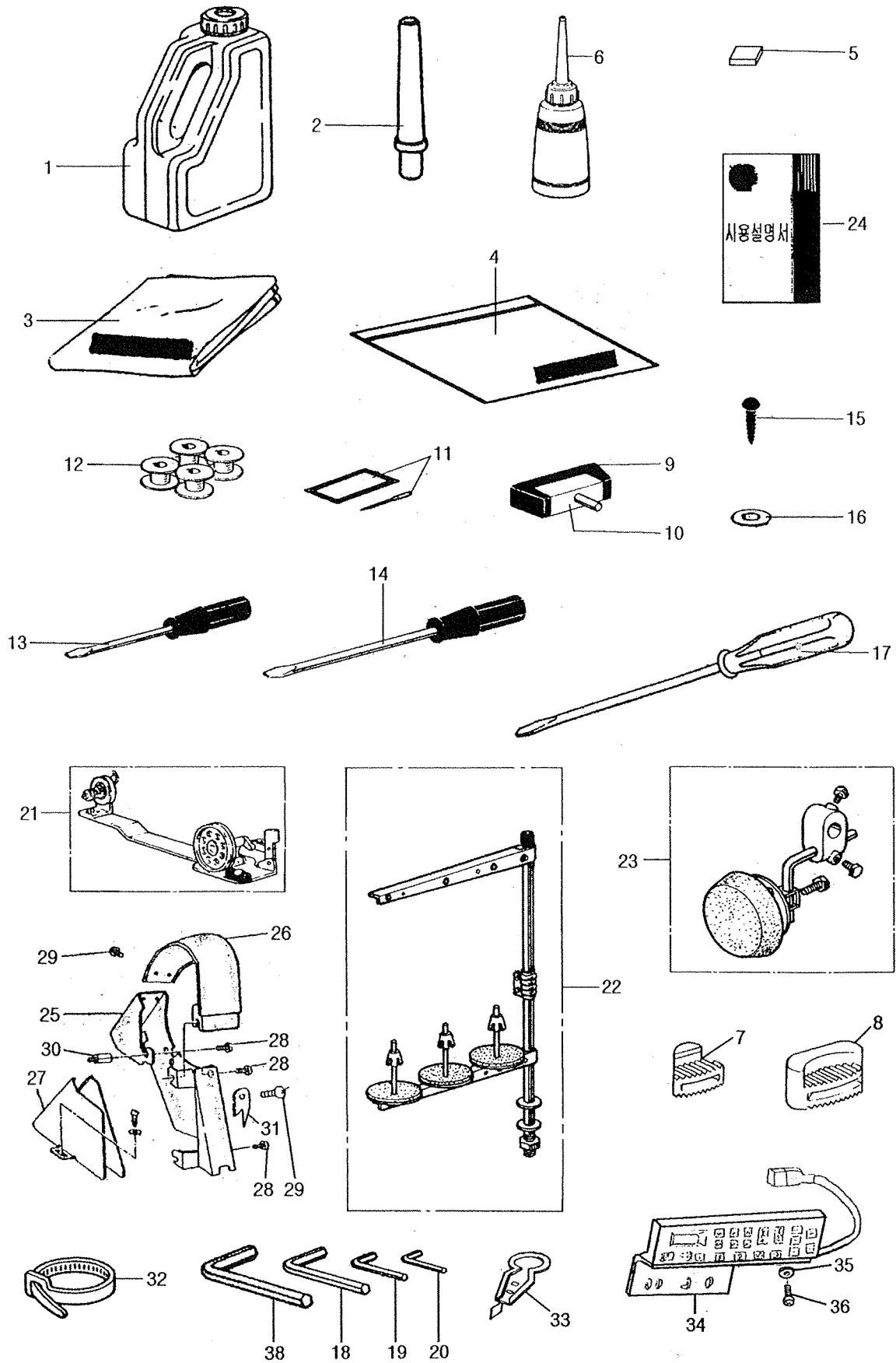
No.	Code No.	Parts Name	Q'ty	Remark
23	155023	Spring	1	
24	153062	Spring Holder	1	
25	1021	Screw 1/8(44)-4	1	
26	1048	Screw 9/64(40)-7	2	
27	153063	Pump Bracket	1	
28	154011	Filter. ASM	1	
29	153065	Pipe Holder	1	
31	153066	Pump Bracket Plate	1	
32	157013	Pipe 30x0.5x410	1	
33	159014	Oil Wick Pipe. ASM	1	
34	159015	Oil Wick Pipe. ASM	1	
35	154012	Pipe Connector	1	
37	157014	Pipe 3Dx1x445	1	
38	157015	Pipe 3Dx1x300	1	
39	155024	Pipe Holder	1	
41	158018	Oil Wick $\phi$ 2.5x65	3	
42	153067	Pipe Holder	3	
43	153068	Oil Cover. ASM	2	
44	154010	Pipe	1	
45	158019	Oil Wick $\phi$ 2.5x545	1	

# N. 유수판 기구 / Oil Pan Mechanism



No.	Code No.	Parts Name	Q'ty	Remark	No.	Code No.	Parts Name	Q'ty	Remark
1	154018	Oil Pan	1		7	3048	Screw 15/64(28)-30	2	
2	1105	Screw 5/16(28)-10	1		8	112053	Nut 15/64(28)	2	
3	117012	O-ring	1		9	7007	Screw 15/64(28)-14.5	1	
4	158011	Felt	1		10	155025	Spring	1	
5	115014	E-Type Stop Ring 10	1		11	152071	Knee Lifter Shaft	1	
6	151046	Knee Lifter Crank	1		12	154019	Knee Lifter Pin	1	

Z. 부속품 / Accessories





## Z. 부속품 / Accessories

No.	Code No.	Parts Name	Q'ty	Remark
1	801	Oil Tank	1	
2	802	Head Rest	1	
3	803	Head Cover	1	
4	804	Accessories Bag	1	
5	805	Magnet	1	
6	827	Oil Tank	1	
7	807	Cushion Rubber(S)	2	
8	808	Cushion Rubber(L)	2	
9	809	Hinge Rubber	1	
10	810	Head Hinge	1	
11	156002	Needle DP×5 #14	6	
	156010	Needle DP×5 #21	6	H
12	152093	Bobbin	4	H620
	152093-H			H620H
	152046			H6200
	152046-H			H6200H
13	813	Driver (S)	1	
14	814	Driver (M)	1	
15	816	Screw 4.5x20	2	
16	817	Washer	2	
17	815	Driver (L)	1	

No.	Code No.	Parts Name	Q'ty	Remark
18	824	Socket Wrench 3	1	
19	828	Socket Wrench 2.5	1	H6200
20	823	Socket Wrench 2	1	H6200
21	819	Bobbin Winder. ASM	1	H
	852			
22	853	Cotton Stand. ASM	1	
23	821	Knee lifter. ASM	1	
24	158024	Operation Manual	1	
25	133034	Belt Cover (A)	1	
26	133035	Belt Cover (B)	1	
27	123092	Belt Cover (C)	1	
28	1089	Screw 15/64(28)-8	1	
29	1047	Screw 11/64(40)-6	3	
30	8057	Stud Screw	1	
31	123045	Thread Knife	1	
32	126003	Cable Tie	2	H6200
33	829	Thread a Needle Kit	1	
34	153069	Operation Panel Bracket	1	H6200
36	1004	Screw M3×6	1	H6200
37	136001	Spring Washer	2	H6200
38	830	Socket Wrench 4	1	H6200

# **Consolidated Sewing Machine Corp.**

## **MAIN OFFICE**

131 West 25th Street  
New York, NY 10001  
Tel: (212) 741-7788  
Fax: (212) 741-7787

## **BRANCH OFFICE**

7855 NW 29th Street, Bay 166  
Miami, FL 33122  
Tel: (305) 471-0200  
Fax: (305) 471-0243



CONSOLIDATED SEWING MACHINE CORPORATION  
131 WEST 25<sup>TH</sup> STREET, NEW YORK, NY 10001

# MODEL 339RB-3

INSTRUCTION MANUAL

### LUBRICATION (USE WHITE SPINDLE OIL)

1. To fill oil reservoir on top of machine until oil level reaches to upper reference line A. Always keep oil level is above lower reference line B. (Fig.1)
2. Oiling for hook mechanism: Open slide plate on bed and pull out oil gauge. Fill oil into reservoir for hook mechanism up to level reference mark on the gauge. (Fig. 3)
3. When starting the machine initially and after kept away for a long time without using at all, oil sufficiently to respective necessary parts indicated by arrow before starting operation and pre-running. (Fig. 2, 4 and 5)

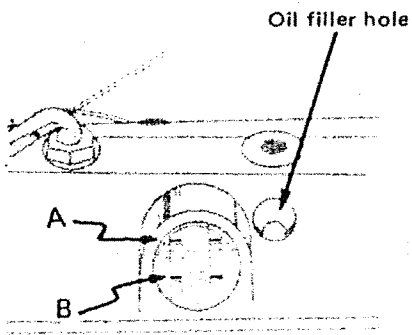


Fig. 1

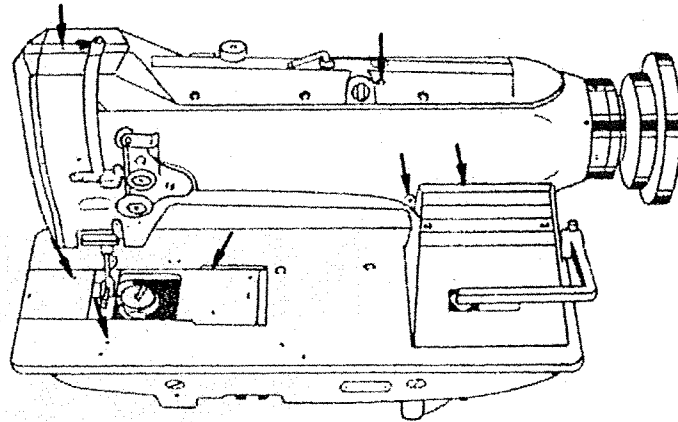


Fig. 2

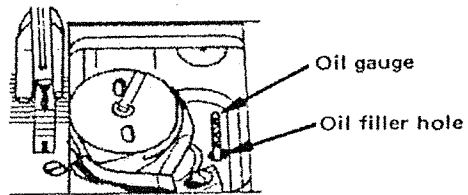


Fig. 3

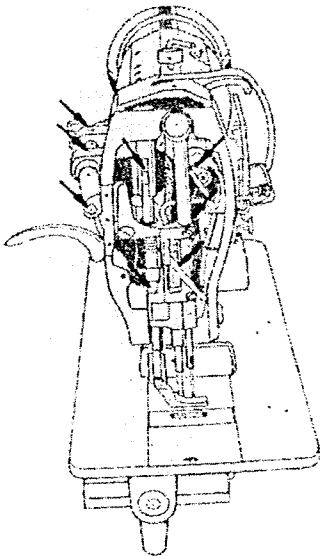


Fig. 4

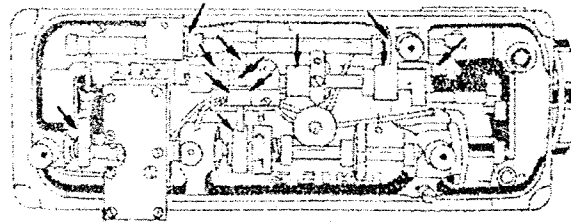


Fig. 5

## OILING ADJUSTMENT FOR UPPER PART (Fig. 6)

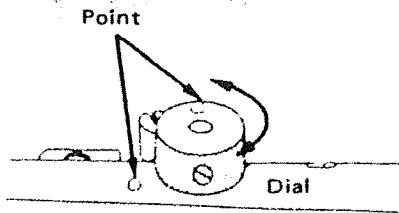


Fig. 6

While operating machine, lubrication to each spots of upper part of machine are made automatically. When the machine is in continuous operation, stop oiling for a while at your option. In that case, turn dial until two points fit together, then the dial comes down and the lubrications are stopped.

## OILING ADJUSTMENT FOR HOOK MECHANISM (Fig. 7)

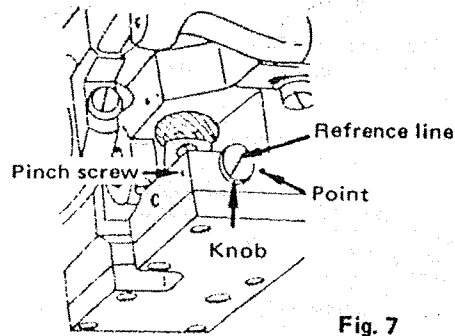


Fig. 7

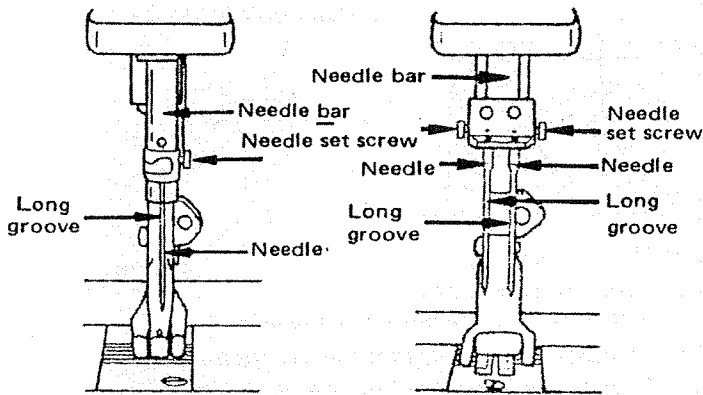
The maximum oil flow is available when reference line on oil adjusting knob is in a line with point on hook saddle. While it stops when the reference line is upright.

To adjust, loosen pinch screw and turn oil adjusting knob, then tighten the pinch screw after adjustment.

DP-F22#16 .

DPX17#22 ..

DPX17#24 ..



**SINGLE NEEDLE**  
Fig. 8

**DOUBLE NEEDLE**  
Fig. 9

1. Move needle bar to highest point.
2. Insert needle up as far as possible.
3. Long groove faces left (In case two needle machine, the long groove face inside).
4. Then, tighten needle set screw.

## ROLLER PRESSER FOOT (Fig. 10)

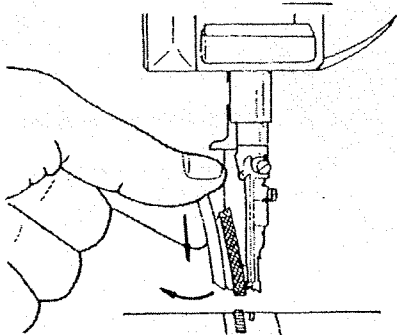


Fig. 10

Lift up presser bar lifter, and press down presser foot saddle and turn it to left.  
To return, turn it to right.

## WINDING THE BOBBIN;

1. Place bobbin on spindle as far as it will go.
2. Lead thread as shown by Fig. 11 and wind several times on bobbin.
3. Press down lever for drive then start machine. Pulley will be disengaged from V-belt automatically after bobbin fills up with thread.

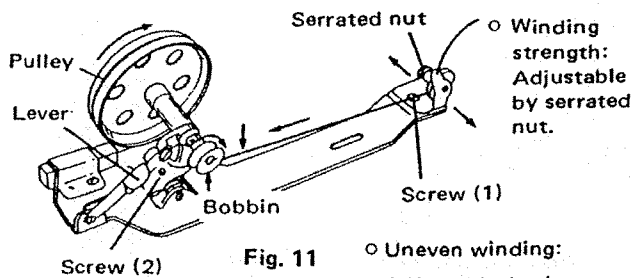


Fig. 11

○ Winding amount:  
Adjustable by screw (2)

○ Winding strength:  
Adjustable by serrated nut.  
  
○ Uneven winding:  
Adjustable by loosening screw (1) and move winder to right or to left.

## BOBBIN REMOVAL AND REPLACEMENT- STANDARD TYPE

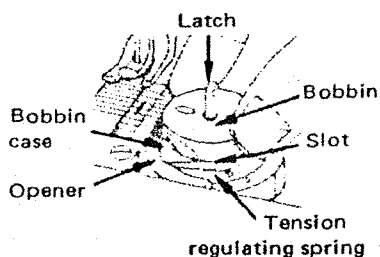


Fig. 12

1. BOBBIN REMOVAL  
Pull up latch, and bobbin comes up.
2. BOBBIN REPLACEMENT  
Place threaded bobbin into case and press down the latch. At this time, make sure the bobbin turns to left (counter-clockwise), pulling the thread.

### 3. THREADING BOBBIN

Guide thread into slot and pull the thread between bobbin case and opener, and pass thread inside of tension spring. Leave about 5 cm from needle plate and close slide plate lightly.

## WITH CAP

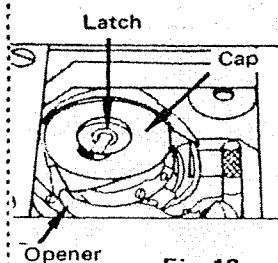


Fig. 13

1. BOBBIN REMOVAL

Pull up latch and remove cap and bobbin.

2. BOBBIN REPLACEMENT AND THREADING

Place threaded bobbin into cap. At this time, make sure bobbin turns to right (clockwise). Then, pull out a length of about 5 cm of thread, guide the thread into slot and pull the thread to left, under tension spring. Place the cap with bobbin into hook and press down the latch.

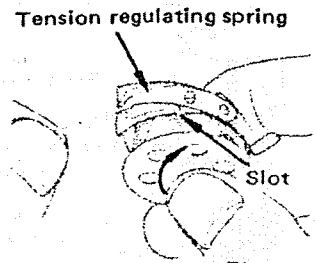


Fig. 14

## THREADING THE NEEDLE

### ONE NEEDLE

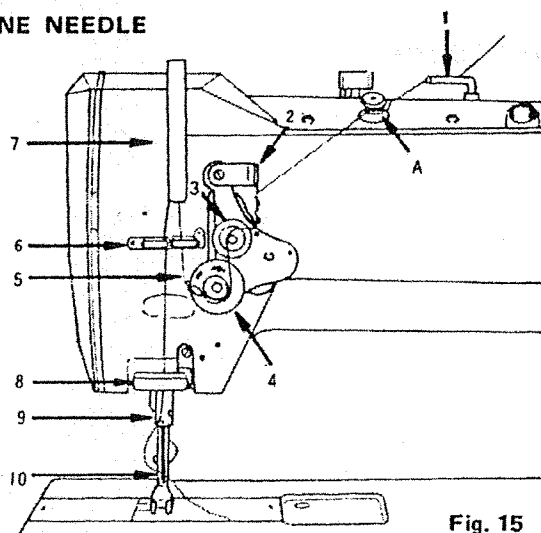


Fig. 15

- Raise needle bar to highest point and lead thread from thread stand the numerical order. Thread needle from left to right.
- A (pre-tension disc) is only for LSW-6LG, 7LG, T, TA type.

### TWO NEEDLE

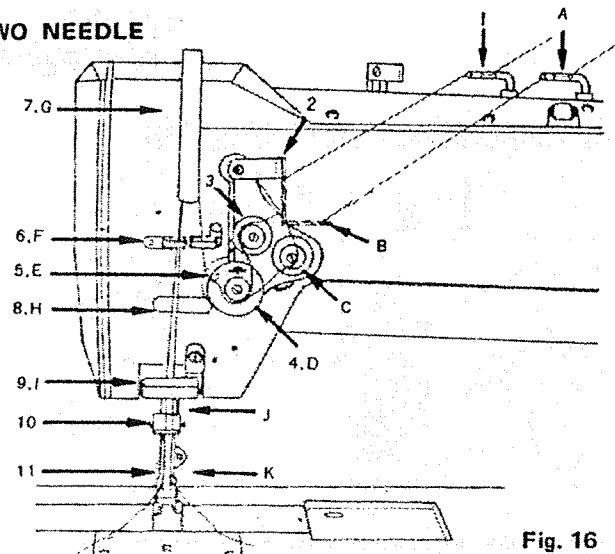


Fig. 16

- Raise needle bar to highest point and lead thread from thread stand the numerical order (1 ~ 11 for left needle) and the alphabetical order (A ~ K for right needle). Thread needle from outside to inside.

**THREAD TENSION**

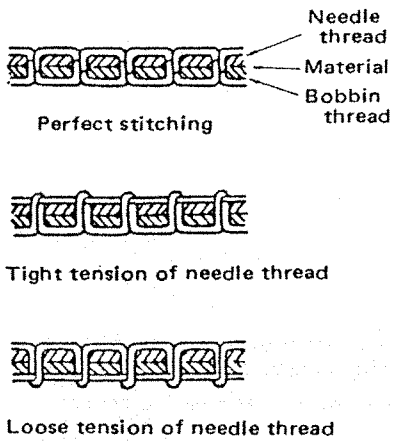


Fig. 17

**NEEDLE THREAD**

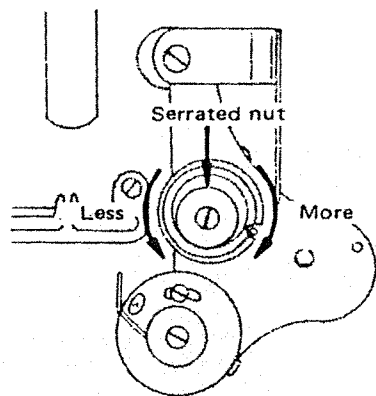
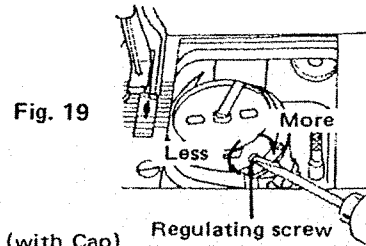


Fig. 18

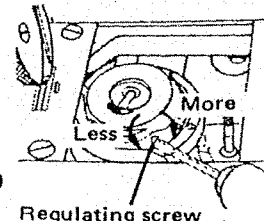
To adjust, turn serrated nut

**BOBBIN THREAD**

(Standard type)



(with Cap)



To adjust, turn adjusting screw

**TO REGULATE PRESSER FOOT PRESSURE**

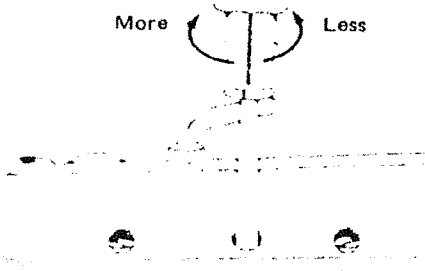
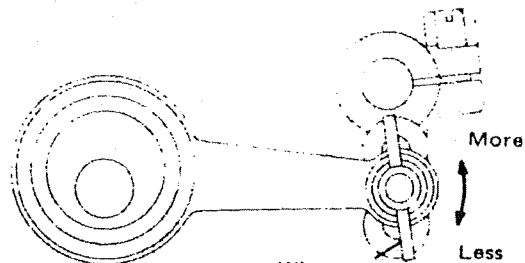


Fig. 21

The pressure on the material should be as light as possible, while still sufficient to insure correct feeding.

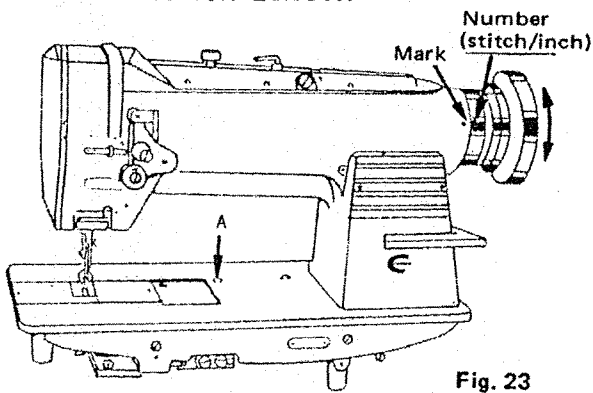
**ADJUSTING LIFT OF ALTERNATING PRESSER FEET**

(Compound feed mechanism only)



To adjust, Loosen wing nut and move link and stud assembly along slot.

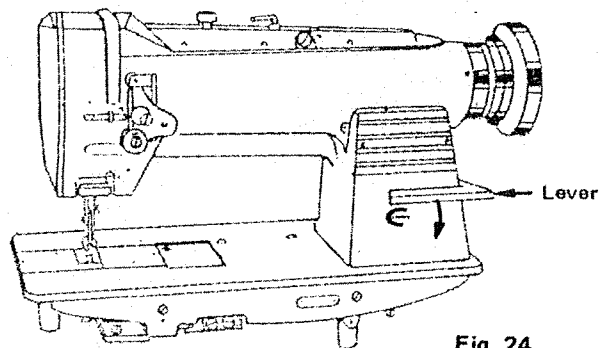
**ADJUSTING STITCH LENGTH**



Pressing down button A, turn pulley slowly toward you. Then plunger will enter into notch in feeding mechanism. Hold the plunger down and turn pulley either forward or rearward so that desired number on pulley may come at mark on arm. Then, release the plunger.

**REVERSE STITCHING**

(only with reverse mechanism)



Press down lever as far as it will go.

# RE-SETTING SAFETY CLUTCH MECHANISM

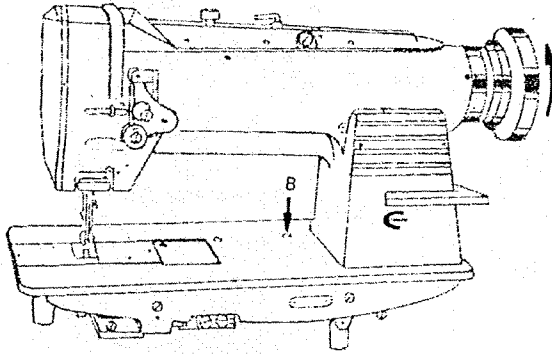


Fig. 25

1. Remove any foreign matter which may have lodged in hook. Do not use any sharp-edged tools.
  2. Pressing button B and turn pulley rearward slowly to return safety clutch.
- \* Operating pressure of the safety clutch can be changed.



# **Consolidated Sewing Machine Corp.**

**Website: [www.consew.com](http://www.consew.com)**

## **MAIN office**

131 W. 25th Street  
New York, NY 10001  
Tel: 212-741-7788  
Fax: 212-741-7787  
e-mail: [consew@att.net](mailto:consew@att.net)

## **Miami, FL**

4013 N.W. 79th Avenue  
Miami, FL 33166  
Tel: 305-471-0200  
Fax: 305-471-0243  
e-mail: [miamisales@consew.com](mailto:miamisales@consew.com)

## **Los Angeles, CA**

2320 South Hill Street  
Los Angeles, CA 90007  
Tel: 213-745-8844  
Fax: 213-745-8855  
e-mail: [lasales@consew.com](mailto:lasales@consew.com)

